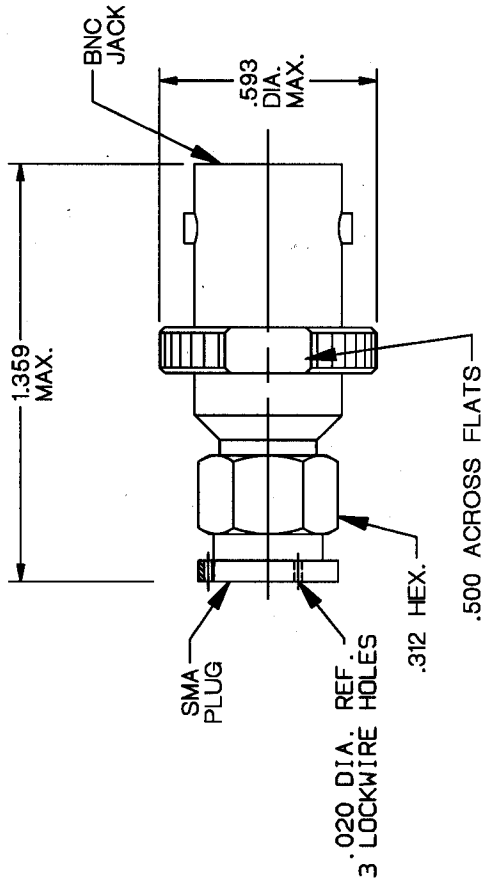


CONFIGURATION (TOLERANCE +/- .005 UNLESS OTHERWISE SPECIFIED)

# ENG. FILE COPY



## SMA PLUG TO BNC JACK, ADAPTER

**MATERIAL:**  
 BODY, SLEEVE, COUPLING NUT: STAINLESS STEEL PER AMS-5640 UNS S30300, TYPE A.  
 CONTACT, LOCK RING: BERYLLIUM COPPER PER ASTM B 196, UNS C17300, COND. TD04.  
 INSULATOR: TEFLON PER ASTM D 1457.  
 GASKET: SILICONE RUBBER PER ZZ-R-765, CLASS 1B, GRADE 50 OR 60.

**FINISH:**  
 BODY, SLEEVE, COUPLING NUT: PASSIVATION PER QQ-P-35, TYPE 11.  
 CONTACT: GOLD PER MIL-G-45204, TYPE 1, GRADE C, CLASS 1 OVER NICKEL PER QQ-N-290, CLASS 1.

SYM.	DESCRIPTION	DATE	APPR.	DRAWN:	APPROVED:
—	REL. DCN 24031	1/98	[Signature]	J. R. G.	[Signature]
				DATE 1/19/98	DATE 1/19/98

DWG. NO.  
**M55339/47-30001**

### ELECTRICAL:

NOMINAL IMPEDANCE (OHMS) 50  
 FREQUENCY RANGE (GHZ) DC TO 4.0  
 VOLTAGE RATING (MAX. VRMS) 335  
 VSWR (MAX.) 1.30 + .025F (GHZ.)  
 INSERTION LOSS (x  $\sqrt{F}$  GHZ = DB MAX.) .115  
 RF LEAKAGE (MIN. DB DOWN) -55 dB  
 RF HIGH POTENTIAL (MIN. VRMS) 670 AT 5 MHz  
 DIELECTRIC WITHSTANDING VOLT. (MAX. VRMS) 1500  
 INSULATION RESISTANCE (MIN. MEGOHMS) 5000  
 CONTACT RESISTANCE:

CENTER CONTACT (MAX. MILLIOHMS) 4.1  
 OUTER CONTACT (MAX. MILLIOHMS) 2.2

### MECHANICAL:

SMA PLUG PER MIL-STD-348 & SV MD-107 TO BNC JACK PER MIL-STD-348 & SV MD-125  
 RECOMMENDED MATING TORQUE SMA: 7-10 IN. LBS. BNC: N/A  
 CENTER CONTACT AXIAL FORCES: SMA | BNC  
 INSERTION (MAX. OUNCES) N/A | 32.0  
 WITHDRAWAL (MIN. OUNCES) N/A | 2.0  
 CONNECTOR DURABILITY (MIN. CYCLES) SMA | BNC  
 CONNECTOR ENGAGEMENT & DISENGAGEMENT (MAX. INCH LBS.) 2.0 | 2.5

CENTER CONTACT CAPTIVATION 6.0 LBS. MIN. AXIAL

### ENVIRONMENTAL:

TEMP. RATING (DEGREES CENTIGRADE) -65°C TO +165°C  
 VIBRATION (MIL-STD-202, METHOD 204, CONDITION D, 20G'S)  
 SHOCK (MIL-STD-202, METHOD 213, COND. I, 100G'S)  
 TEMP. CYCLING (MIL-STD-202, METHOD 107, COND. c, -65c TO 200° C)  
 MOISTURE RESISTANCE (MIL-STD-202, METHOD 106, LESS STEP 7B)  
 BAROMETRIC PRESSURE (ALTITUDE) MIL-STD-202, METHOD 105.  
 COND. C. 70,000 FT. 85 VRMS  
 HERMETICITY N/A

SOLITRON VECTOR MICROWAVE	DWG. NO.
3301 ELECTRONICS WAY, WEST PALM BEACH, FL. 33407	<b>M55339/47-30001</b>